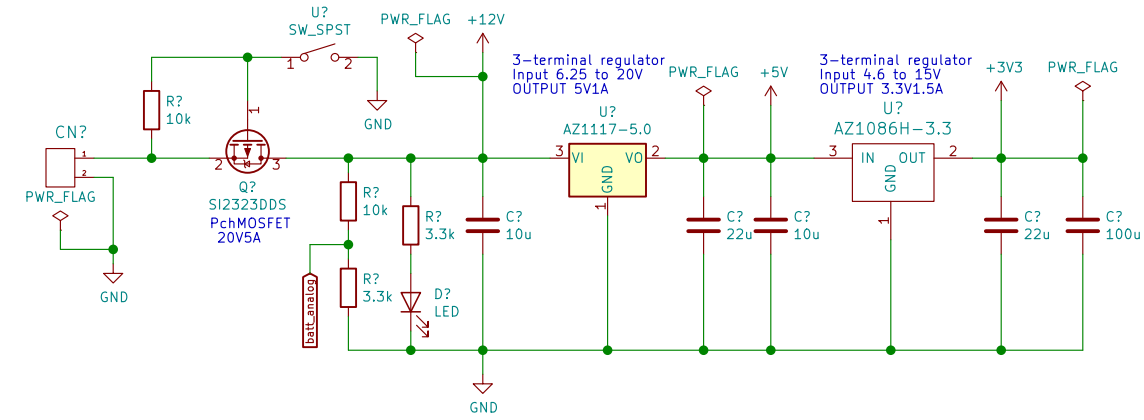
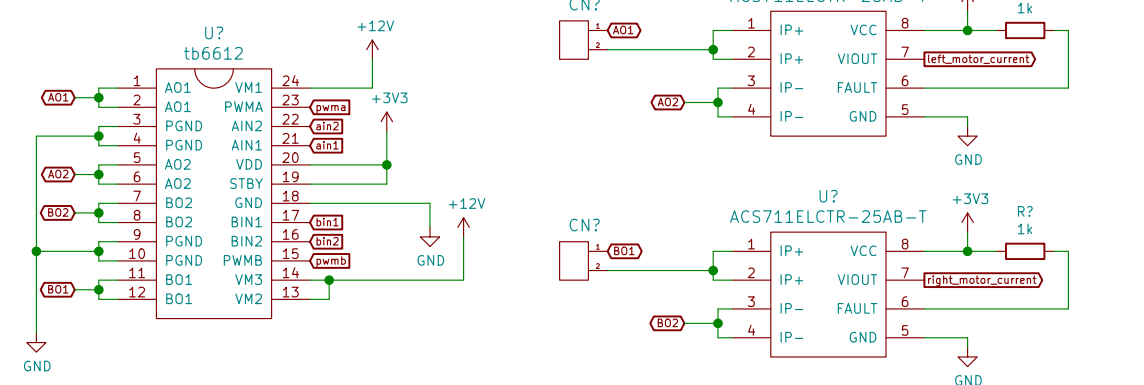


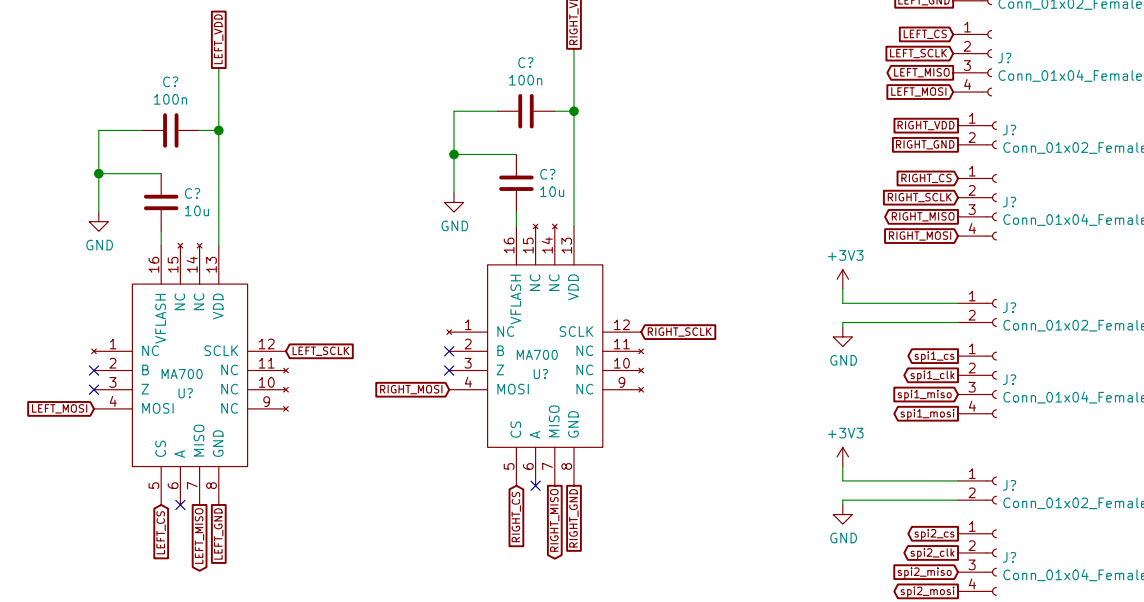
Power



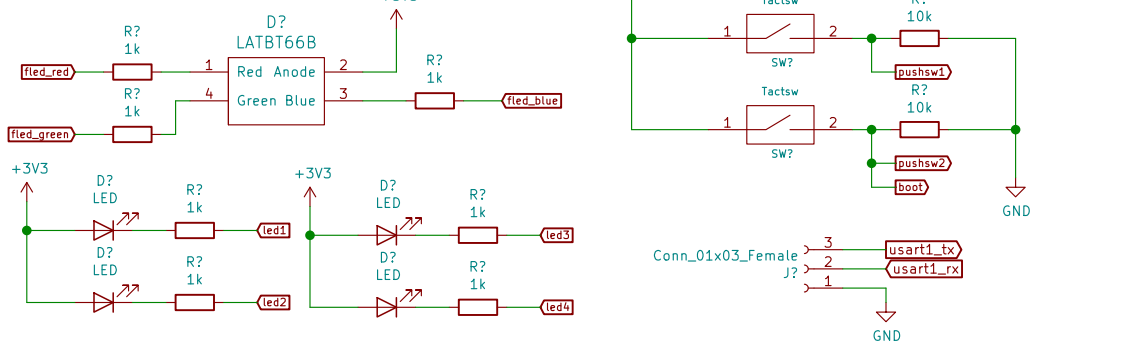
Motor Driver & Current IC



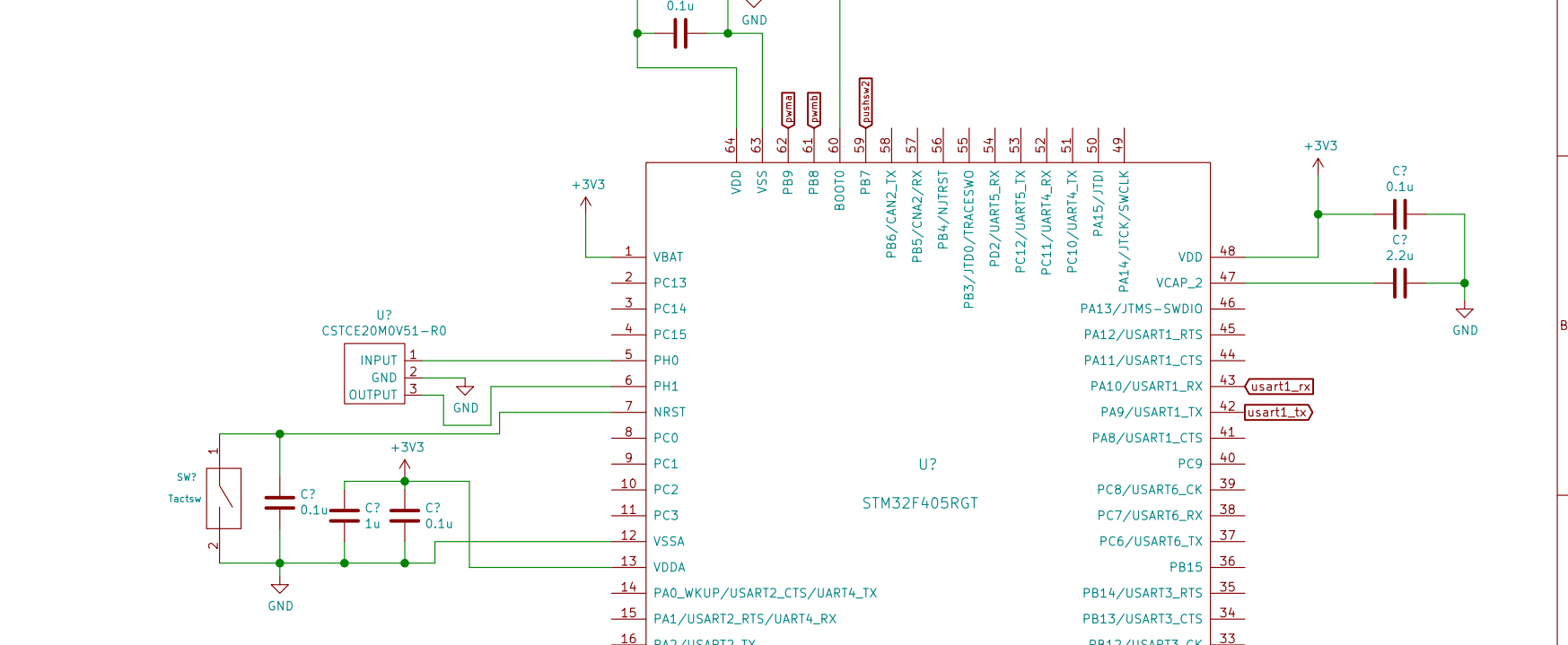
Encoder



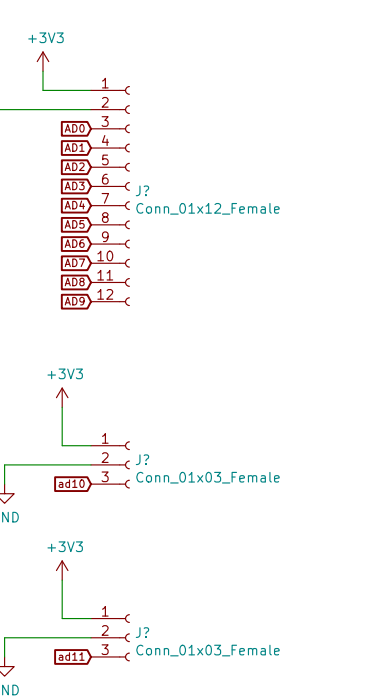
User Interface



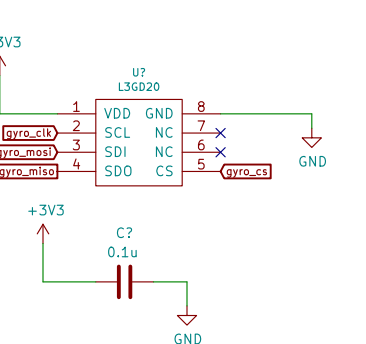
MCU STM32F405RGT 64Pin



Sensor Connect



Gyro Sensor



This circuit is my robotracer main board.
<https://garberas.com>
 Sheet: /
 File: rokisi.sch
Title: Robot Tracer
 Size: A3 Date: 2020-04-01 Rev: 0.1
 KiCad E.D.A. kicad (5.0.0) Id: 1/1